

Unknown1

Unlimited

Pilot ID #

Flight #

No	Symbol	Catalog No	K	Tot K	Score	Remarks
1		1.13.3 9.9.4.2	8 12	20		SF 4
2		7.41.2 9.1.3.4	15 12	27		SF 7
3		1.22.2 9.1.5.1	13 3	16		SF 7
4		6.22.3 9.1.5.1	18 3	21		SF 6
5		8.41.2	18	18		SF 7
6		8.413.2	13	13		SF 7
7		1.11.1 9.1.3.8	2 18	20		SF 7
8		8.52.1 9.4.2.2	10 11	21		SF 7
9		1.11.1 9.8.3.4	2 23	25		SF 7

Item	K	Score
Positioning	15	
Harmony	10	
PENALTIES	Interruptions	
	Insertions	
	Too high	
	Too low	
	Outs	
	Other	
	Disqual Fig #	
T/O time		
End time		

Fig K  
**181**

Total K  
**206**

Judges Details

Signature

Name

Number



\_\_\_\_\_  
Pilot

\_\_\_\_\_  
A/C



DSKM 2012

2012

FORM B

Pilot ID #

Unknown1

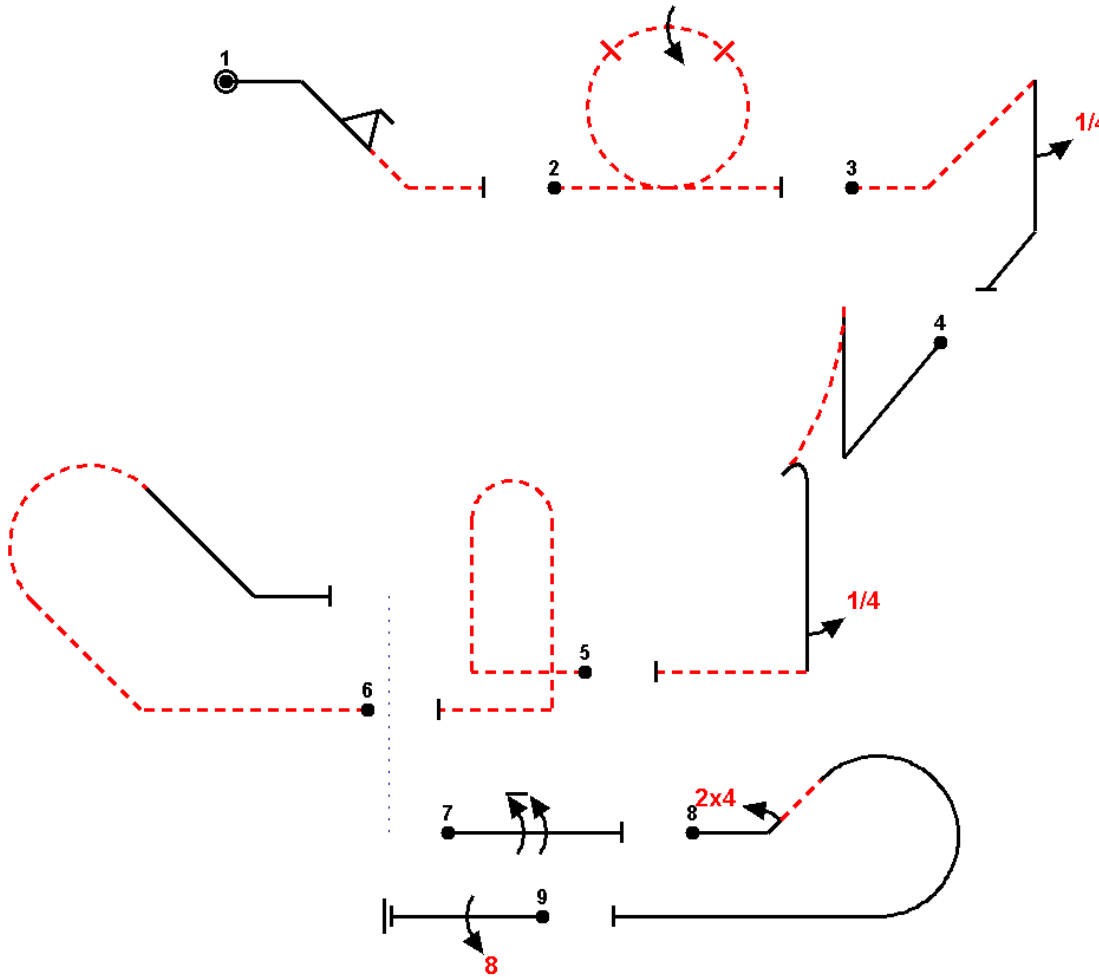
Unlimited

Flight #



No	Catalog No	K	Tot K
1	1.13.3	8	20
	9.9.4.2	12	sf 4
2	7.41.2	15	27
	9.1.3.4	12	sf 7
3	1.22.2	13	16
	9.1.5.1	3	sf 7
4	6.22.3	18	21
	9.1.5.1	3	sf 6
5	8.41.2	18	sf 7
6	8.413.2	13	sf 7
7	1.11.1	2	20
	9.1.3.8	18	sf 7
8	8.52.1	10	21
	9.4.2.2	11	sf 7
9	1.11.1	2	25
	9.8.3.4	23	sf 7

---Total K= 181 ---

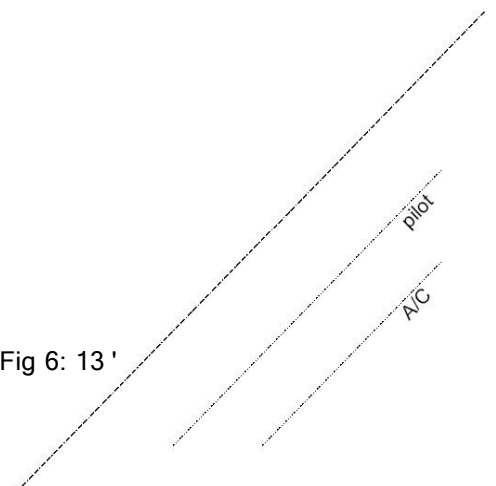


Total K = 181 (13k@6,27k@2)

Olan v6.0 © M.Golan http://www.aerobatics.org.il/olan

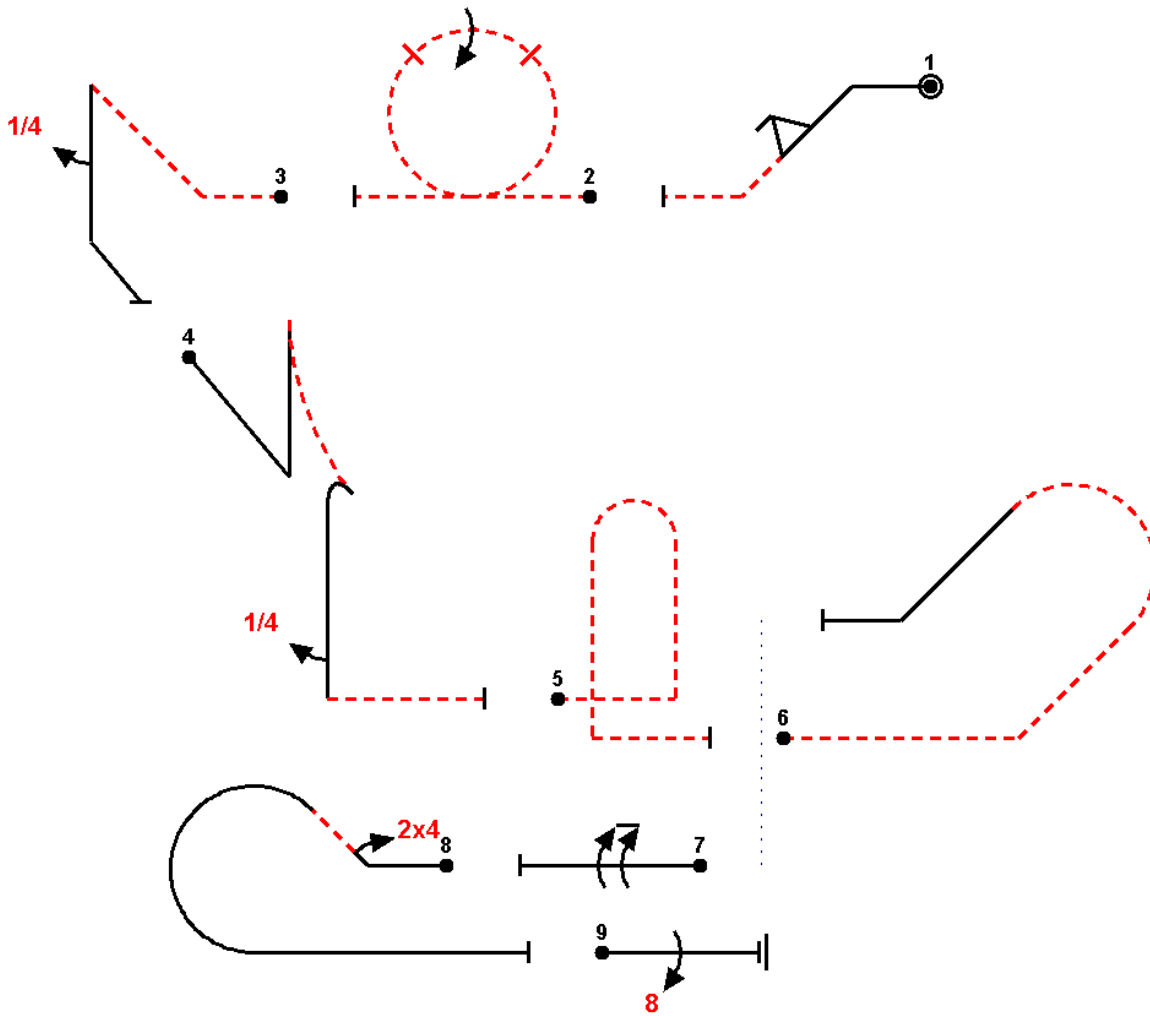
Sequence [12 civa-glider unlimited unknown1] Has 2 Verification Error(s): Fig 6: 13'

id2f- -o1- -t4 ita4- -pb-db 9 24rc 88





DSKM 2012		2012	FORM C
Pilot ID #	Unknown1	Unlimited	Flight #



Total K = 181 (13k@6,27k@2)

Olan v6.0 © M.Golan http://www.aerobatics.org.il/olan

\_\_\_\_\_  
pilot  
\_\_\_\_\_  
A/C

Sequence [12 civa-glider unlimited unknown1] Has 2 Verification Error(s): Fig 6: 13 'K f id2f- -o1- -t4 ita4- -pb-db 9 24rc 88