

Unknown3

Unlimited

Pilot ID #

Flight #

No	Symbol	Catalog No	K	Tot K	Score	Remarks
1		7.31.3 9.1.4.4	14 12	26		SF 7
2		6.21.4 9.1.5.1	22 3	25		SF 6
3		2.11.1	3	3		SF 2
4		8.75.1 9.9.4.4	11 16	27		SF 4
5		8.41.1 9.10.10.2	13 15	28		SF 4
6		8.56.1 9.4.4.2	10 8	18		SF 7
7		1.11.3 9.1.3.2	2 6	8		SF 7
8		2.22.2	37	37		SF 2

Item	K	Score
Positioning	15	
Harmony	10	
PENALTIES	Interruptions	
	Insertions	
	Too high	
	Too low	
	Outs	
	Other	
Disqual Fig #		
T/O time		
End time		

Fig K
172

Total K
197

Judges Details

Signature

Name

Number



Pilot

A/C



Pilot ID #

Unknown3

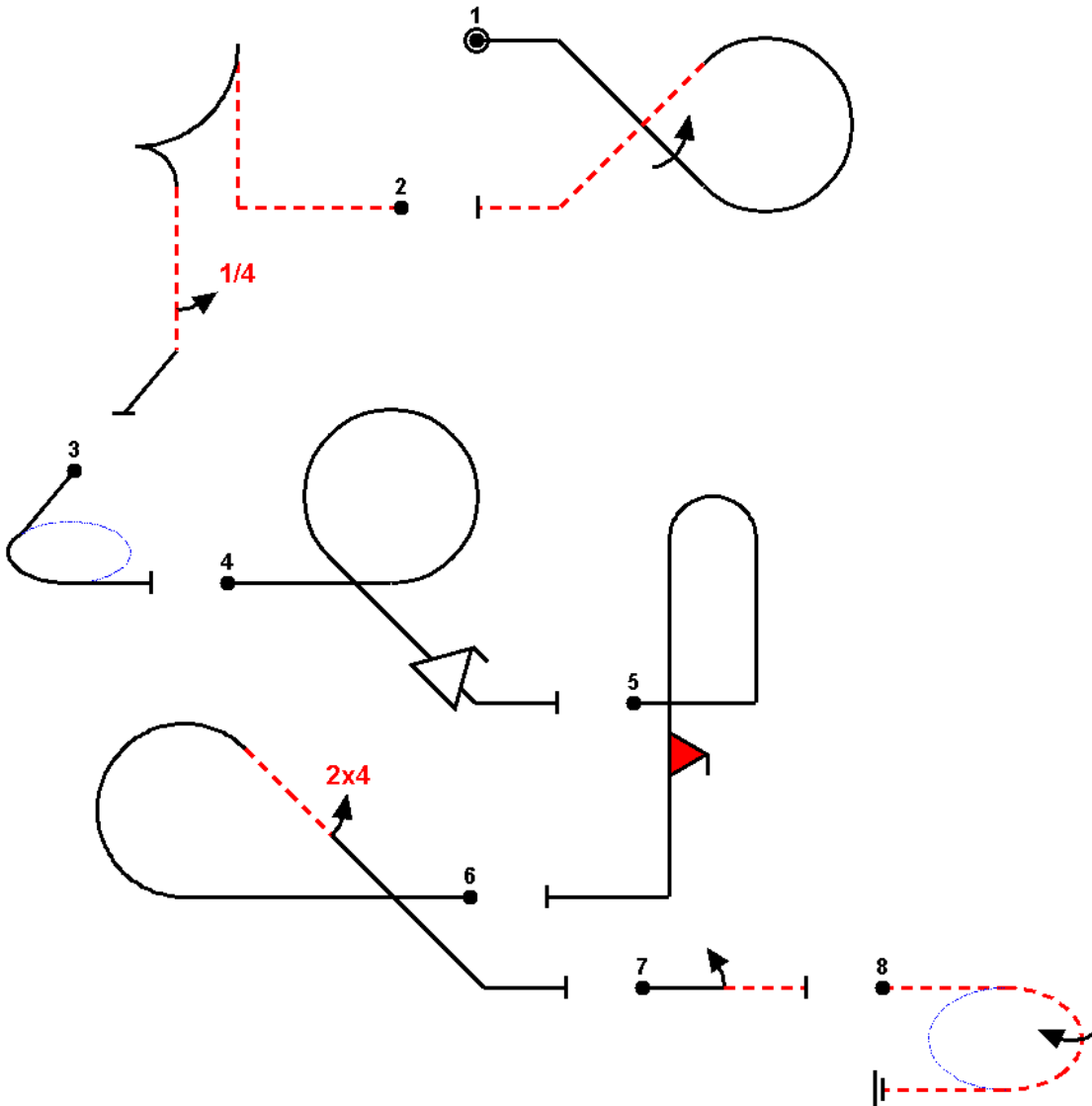
Unlimited

Flight #



No	Catalog No	K	Tot K
1	7.31.3	14	26
	9.1.4.4	12	sf 7
2	6.21.4	22	25
	9.1.5.1	3	sf 6
3	2.11.1	3	sf 2
4	8.75.1	11	27
	9.9.4.4	16	sf 4
5	8.41.1	13	28
	9.10.10.2	15	sf 4
6	8.56.1	10	18
	9.4.4.2	8	sf 7
7	1.11.3	2	8
	9.1.3.2	6	sf 7
8	2.22.2	37	sf 2

--Total K= 172 --

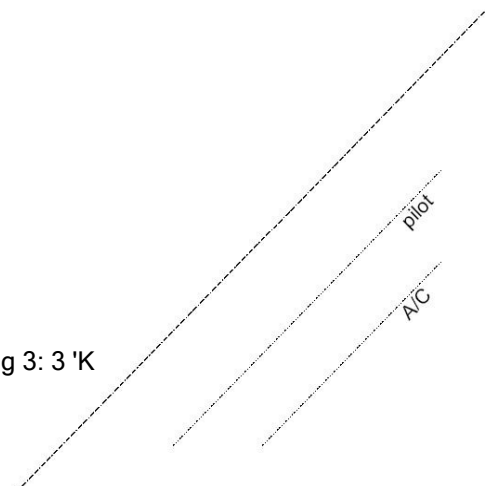


Total K = 172 (3k@3,37k@8)

Olan v6.0 © M.Golan http://www.aerobatics.org.il/olan

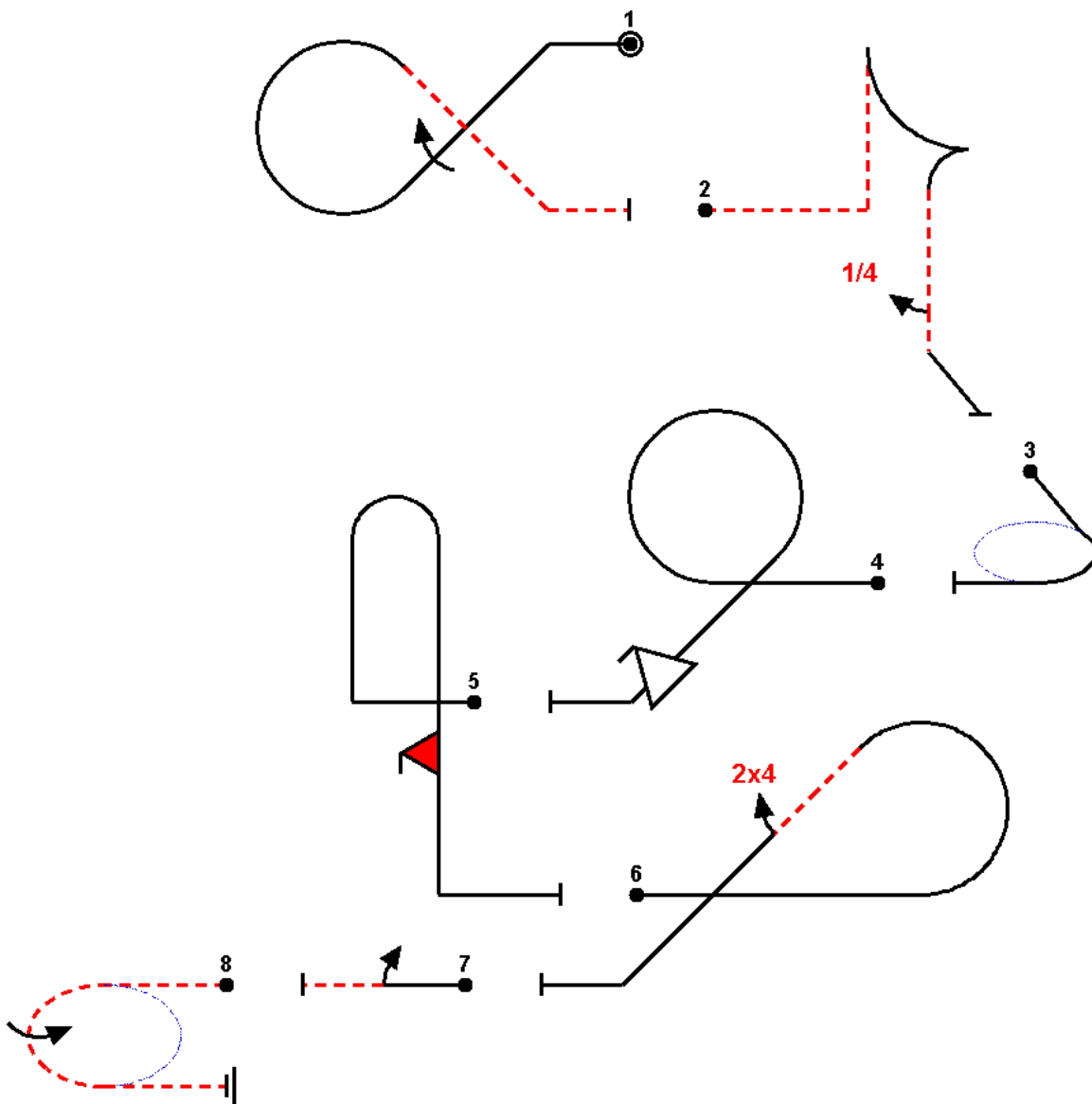
Sequence [12 civa-glider unlimited unknown3] Has 4 Verification Error(s): Fig 3: 3 'K

1ig- -ta4 j> qf b2if c24 2- -2j1-



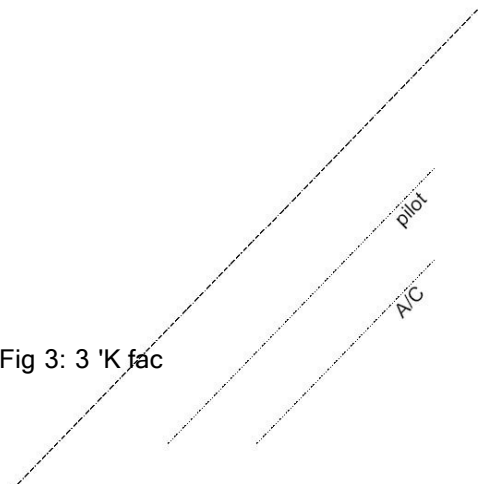


WGAC 2012/Dubnica		2012	FORM C
Pilot ID #	Unknown3	Unlimited	Flight #



Total K = 172 (3k@3,37k@8)

Olan v6.0 © M.Golan http://www.aerobatics.org.il/olan



Sequence [12 civa-glider unlimited unknown3] Has 4 Verification Error(s): Fig 3: 3 'K fac
1ig- -ta4 j> qf b2if c24 2- -2j1-