

Unknown1

Advanced

Pilot ID #

Flight #

No	Symbol	Catalog No	K	Tot K	Score	Remarks
1		8.68.3 9.1.3.2	12 6	18		SF 7
2		8.63.3 9.1.5.1	13 3	16		SF 7
3		2.11.2	4	4		SF 2
4		7.24.2 9.1.3.2 9.13.1.2	6 6 8	20		SF 7
5		7.84.1 9.1.4.2 9.1.4.2	19 6 6	31		SF 7
6		8.415.1 9.1.2.2	12 9	21		SF 7
7		7.41.1 9.1.3.4	10 12	22		SF 7
8		7.22.1 9.1.3.2	6 6	12		SF 7

Item	K	Score
Positioning	15	
Harmony	10	
PENALTIES	Interruptions	
	Insertions	
	Too high	
	Too low	
	Outs	
	Other	
Disqual Fig #		
T/O time		
End time		

Fig K
144

Total K
169

Judges Details
Signature
Name
Number



pilot

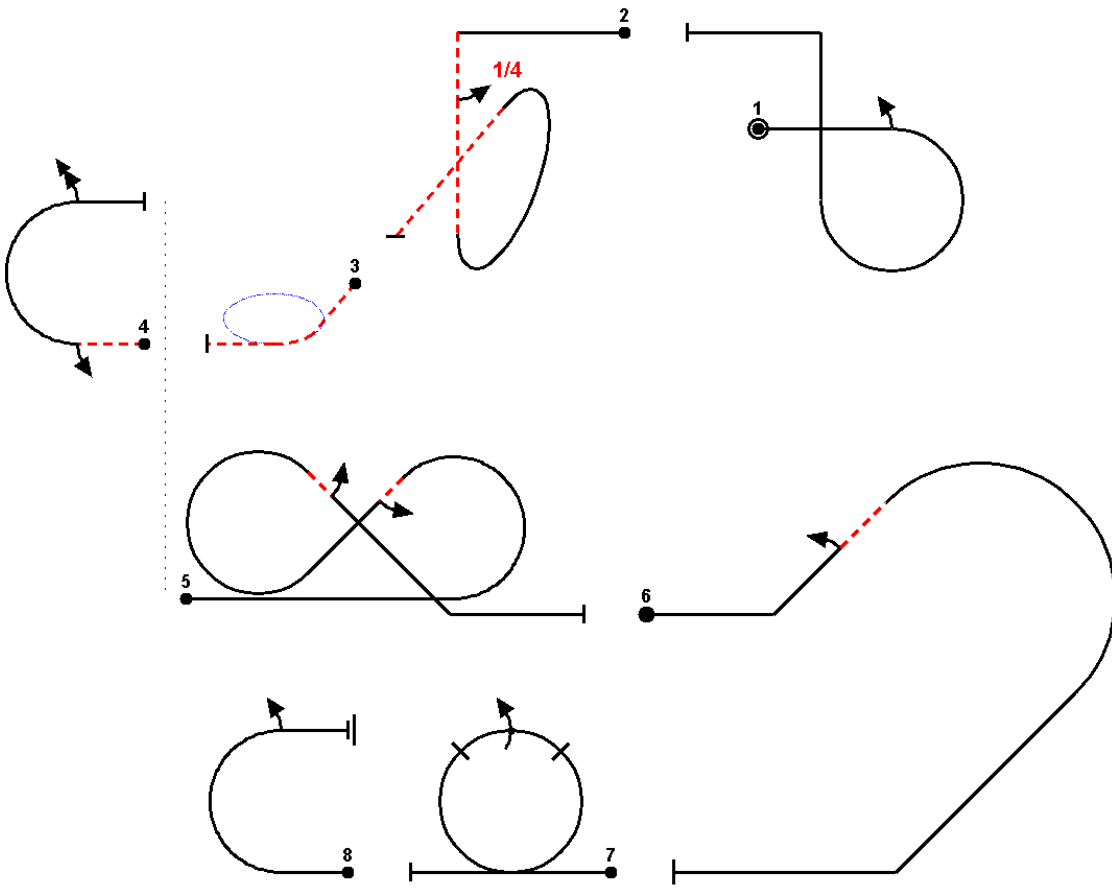
A/C



Pilot ID #		2012	FORM B
Unknown1		Advanced	Flight #



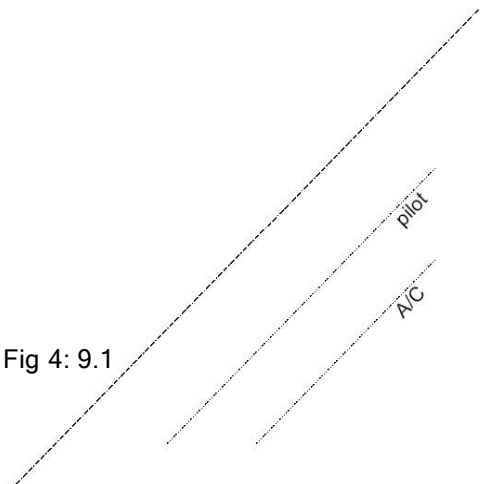
No	Catalog No	K	Tot K
1	8.68.3	12	18
	9.1.3.2	6	sf 7
2	8.63.3	13	16
	9.1.5.1	3	sf 7
3	2.11.2	4	sf 2
4	7.24.2	6	20
	9.1.3.2	6	
	9.13.1.2	8	
5	7.84.1	19	31
	9.1.4.2	6	
	9.1.4.2	6	
6	8.415.1	12	21
	9.1.2.2	9	sf 7
7	7.41.1	10	22
	9.1.3.4	12	sf 7
8	7.22.1	6	12
	9.1.3.2	6	sf 7



---Total K= 144 ---

Total K = 144 (4k@3,31k@5)

Olan v6.0 © M.Golan http://www.aerobatics.org.il/olan

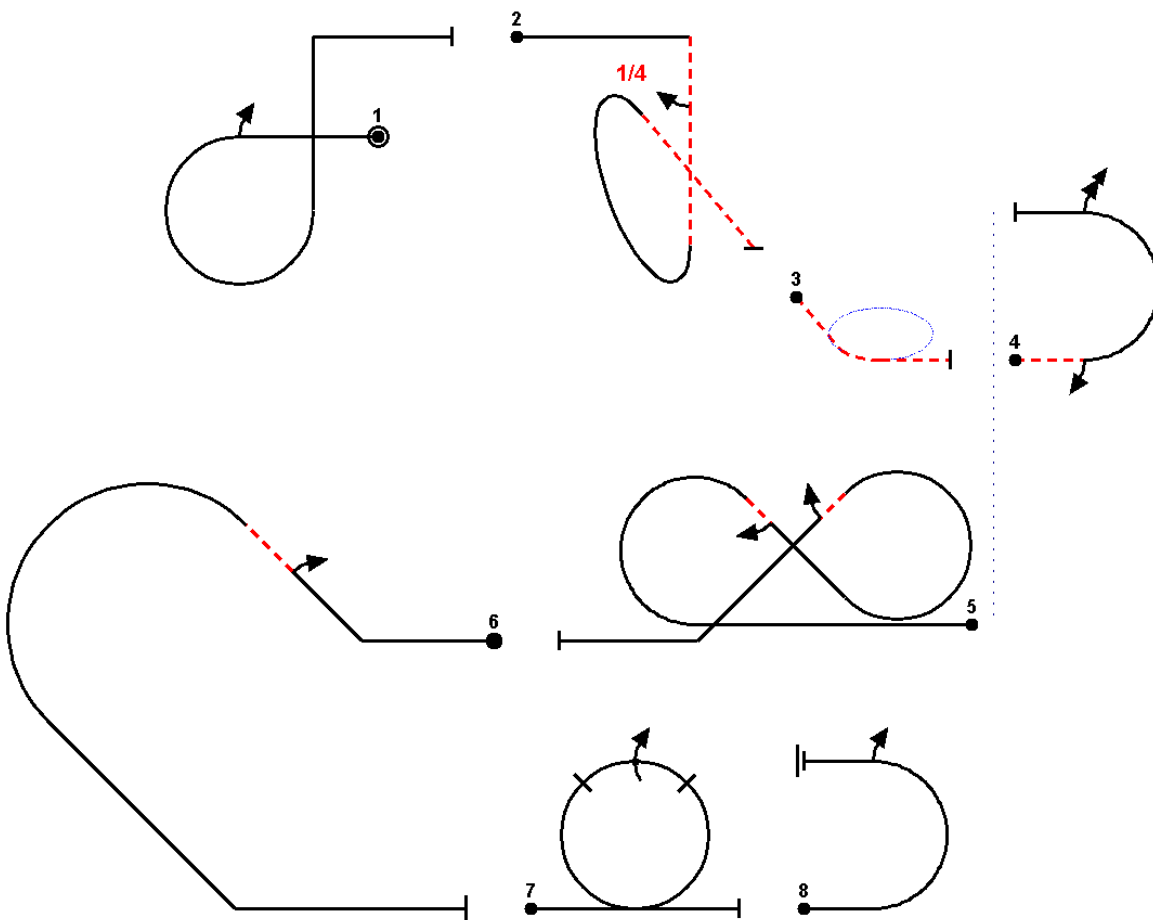


Sequence [12 civa-glider advanced unknown1] Has 1 Verification Error(s): Fig 4: 9.1

2ip 4irp- -j-> -2m02 cc(2)2 2rdb o1 m2

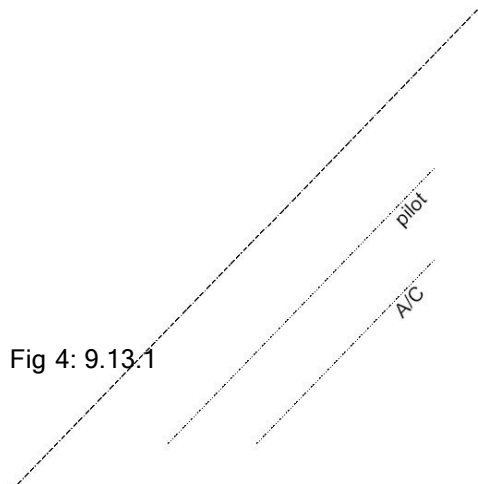


Pilot ID #		2012	FORM C
Unknown1		Advanced	Flight #



Total K = 144 (4k@3,31k@5)

Olan v6.0 © M.Golan http://www.aerobatics.org.il/olan



Sequence [12 civa-glider advanced unknown1] Has 1 Verification Error(s): Fig 4: 9.13.1

Zip 4irp- -j-> -2m02 cc(2)2 2rdb o1 m2